

Before you begin:
Pre-treat each component with an exterior grade preservative.

To establish the desired handrail height, measure down from the top rail mortise in the back post and mark. Cut the back post and treat the end with exterior grade preservative. This marks the floor level of the back post.

Transfer this measurement to the front post (a) taking into account any degree of ground fall in the area where the accessories are to be fitted (b).

Offer back post to the wall (a), temporarily placing bottom bracket underneath to represent an air gap (b). Mark where the top of the post meets the porch canopy, and cut (c). Sand the cut top of the back post to create a chamfer on each edge (d). Treat the cut end with exterior grade preservative.

Offer cut back post to the wall, mark through to establish wall fixing position and fix using 2 x 12mm Steel Bolts (not supplied). Cover with Cover Caps provided.

Assemble spindles and handrails unit, gluing spindles into top rail and screwing through from bottom rail into end of spindles using 80mm screws provided.

Temporarily locate spindles and handrails unit into back post.

With the bottom bracket temporarily in place, offer the front post up to spindle and rail unit and locate (a). Mark the position of the porch canopy on the top of the post (b) allowing for either:

- 2mm less for the top fixing bracket to be located (c), or:
- Opt to recess the top fixing bracket into the top of the front post to allow for a flush fit (d).

Take away front post and cut top where marked (a), sanding each edge to create a chamfer (b). Treat the cut end with exterior grade preservative.

Fix the top bracket to the front post to whichever option you have chosen.

Offer front post up to spindle and rail unit and locate. Mark on the floor area the outline of the bottom bracket, checking that the post is vertically level.

Remove front post and spindle and rail unit, and fix bottom bracket into the ground, using a suitable fixing (not supplied).

Glue (with exterior grade glue) all tenons of the spindle and rail unit and assemble into front and back posts using a rubber mallet (a). The tenons are secured using the Metal Star Dowels supplied (b).

We recommend you pilot drill the post for ease of fix.

Fix top (a) and bottom (b) brackets of the front post.

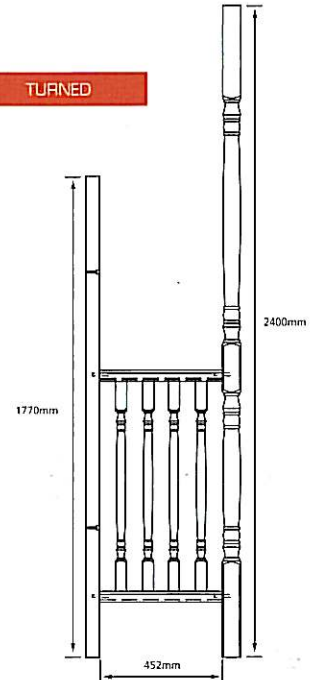
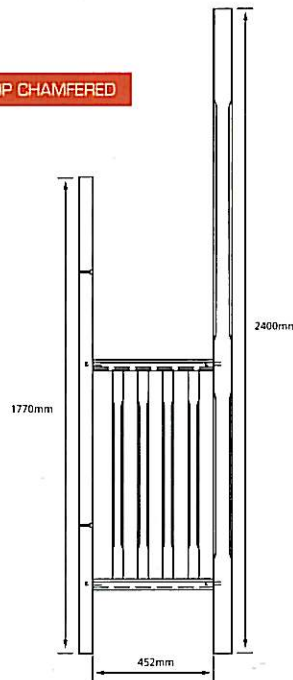
FULL LENGTH Fitting Instructions

Stop Chamfered LC102 and Turned LC100



STOP CHAMFERED

TURNED



Note: Each kit comes with two sides.

Tools required...

Drill		Hammer	
Mallet		Spirit Level	
Screwdriver		Tape Measure	



22kg