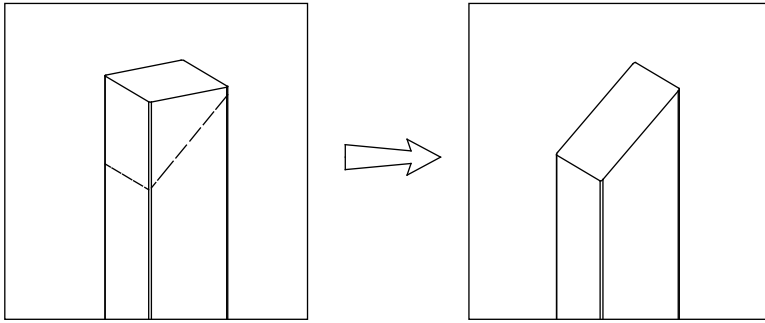
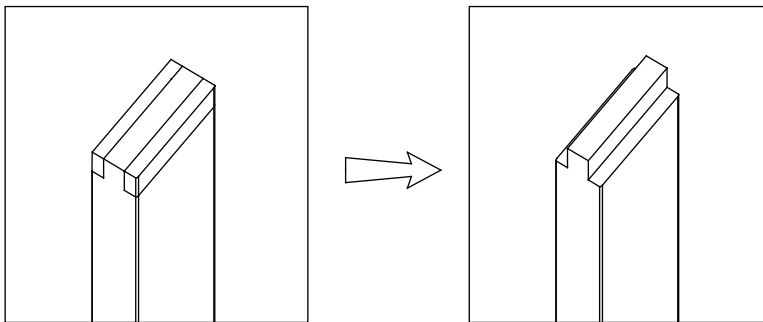


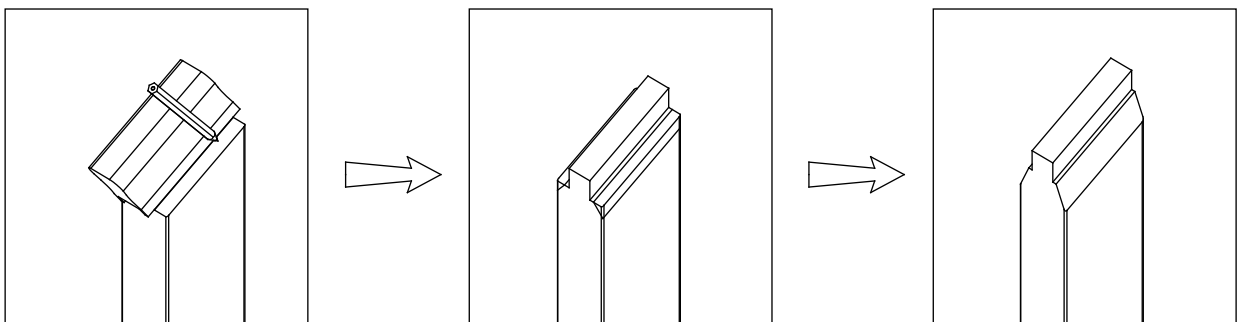
1. Mark top of newel to pitch of stairs so height of newel aligns with underside of rail rebate



2. Mark width of rail rebate onto cut face and cut either side to a depth of approx. 15mm



3. Place piece of rail over tongue and mark position of handrail sides on newel. Chamfer down from this point at 45 degrees on both sides



4. Attach metal plate to top of newel post. Align plate position with handrail and recess the bottom of rail rebate to accept plate. Fix with screws

